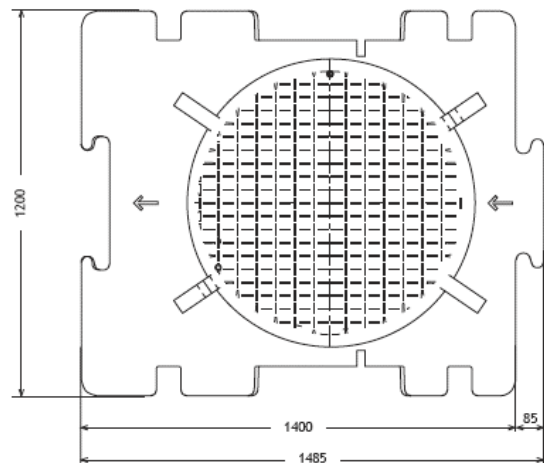
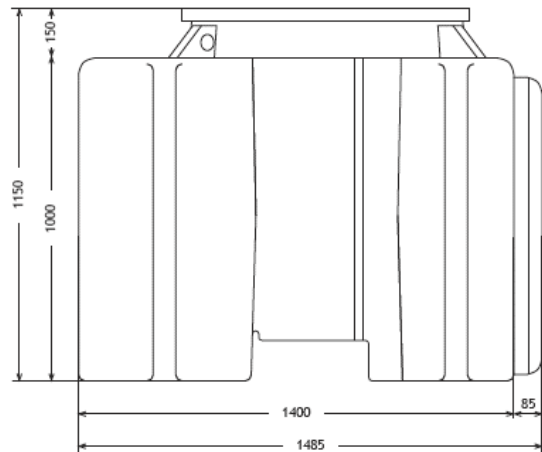
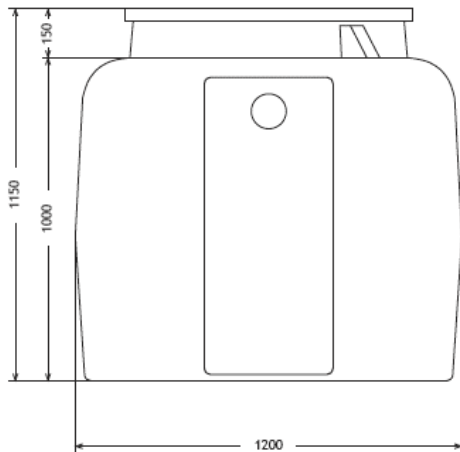




SEPTIC TANK

FS 1 500



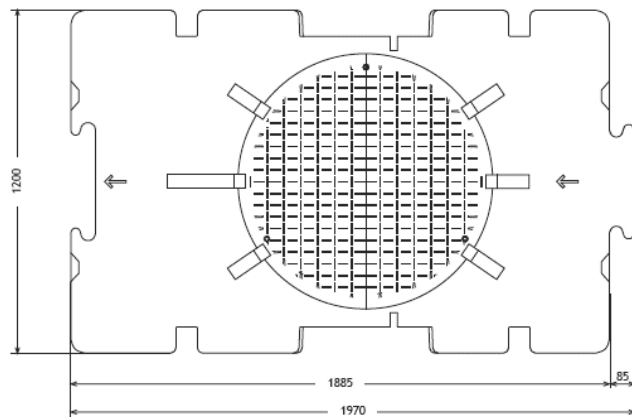
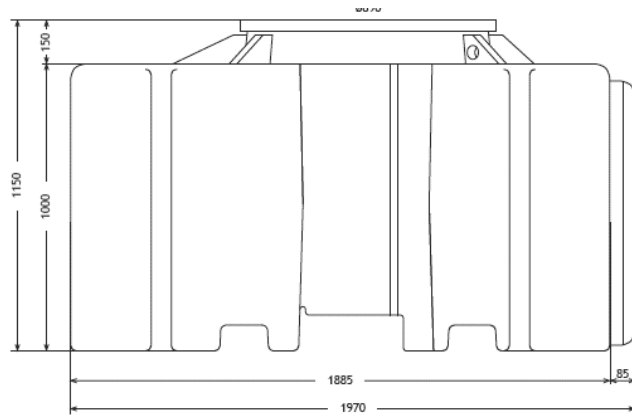
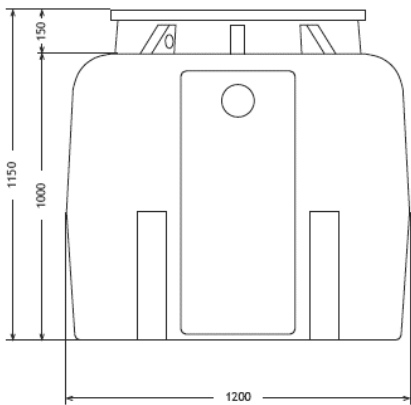
HDPE

MODEL	L length (mm)	I width (mm)	H height (mm)	DN (mm)	Capacity (liters)	Weight (kg)
FS 1500	1485	1200	1150	110	1500	80



SEPTIC TANK

FS 2 000



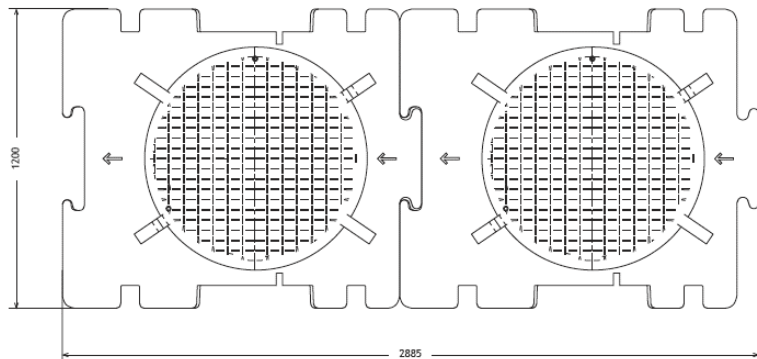
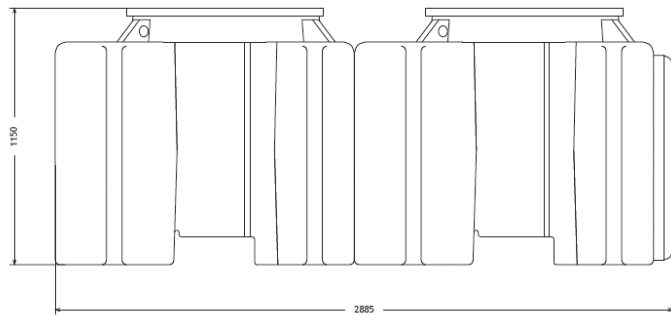
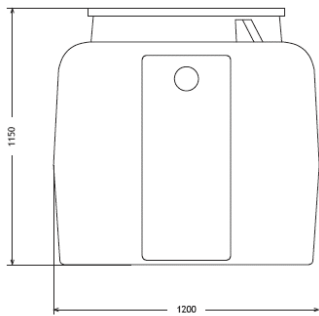
HDPE

MODEL	L lenght (mm)	I width (mm)	H height (mm)	DN (mm)	Capacity (liters)	Weight (kg)
FS 2000	1970	1200	1150	110	2000	90



SEPTIC TANK (2 stages)

FS 3 000



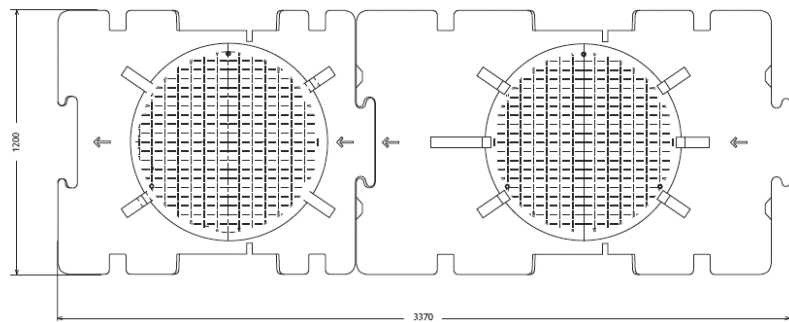
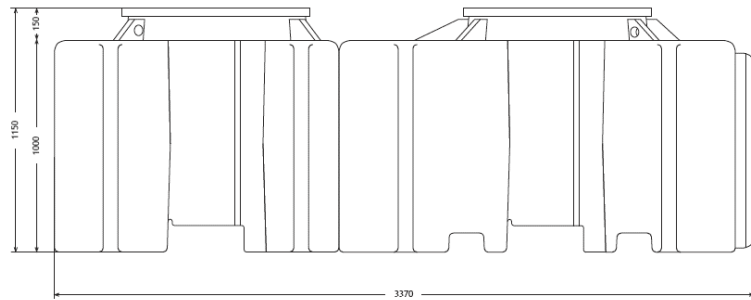
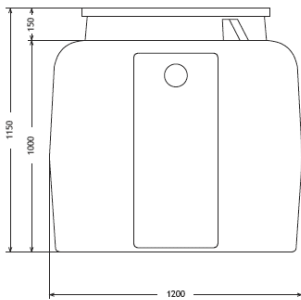
HDPE

MODEL	L length (mm)	I width (mm)	H height (mm)	DN (mm)	Capacity (liters)	Weight (kg)
FS 3000	2855	1200	1150	110	3000	160



SEPTIC TANK (2 stages)

FS 3 500



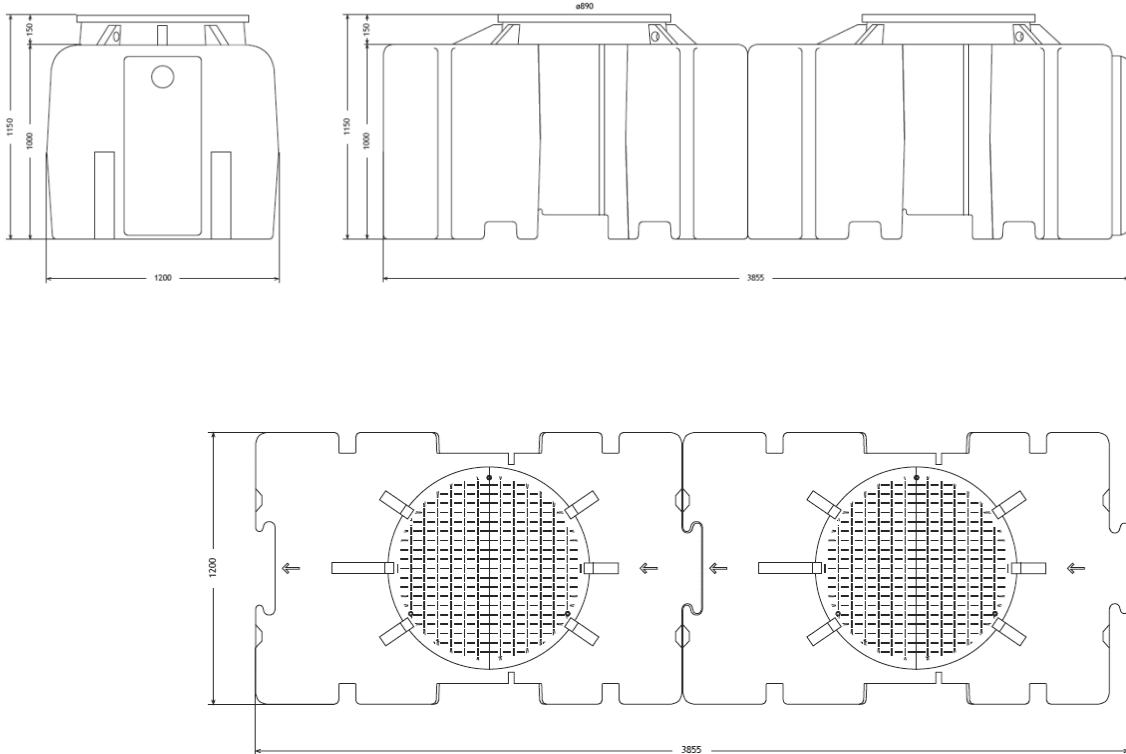
HDPE

MODEL	L length (mm)	I width (mm)	H height (mm)	DN (mm)	Capacity (liters)	Weight (kg)
FS 3500	3370	1200	1150	110	3500	170



SEPTIC TANK (2 stages)

FS 4 000



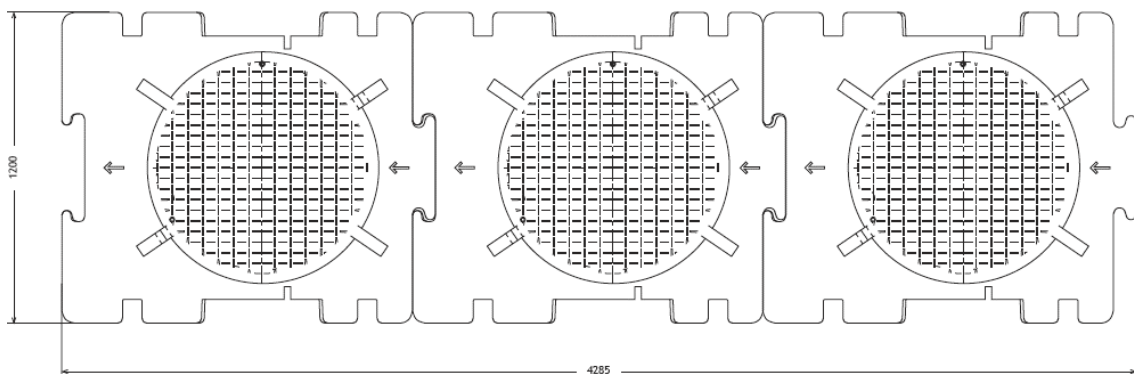
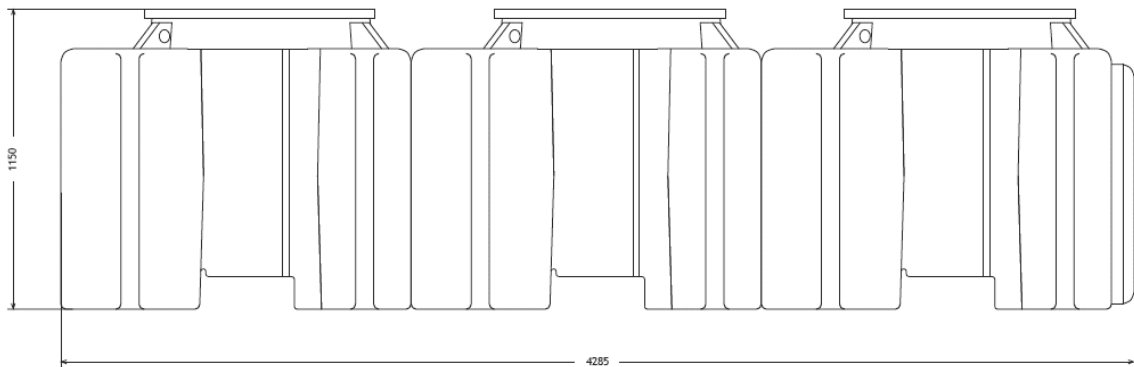
HDPE

MODEL	L length (mm)	I width (mm)	H height (mm)	DN (mm)	Capacity (liters)	Weight (kg)
FS 4000	3855	1200	1150	110	4000	180



SEPTIC TANK (3 stages)

FS 4 500



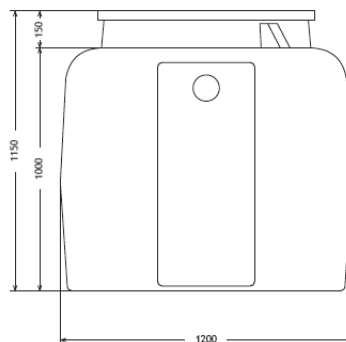
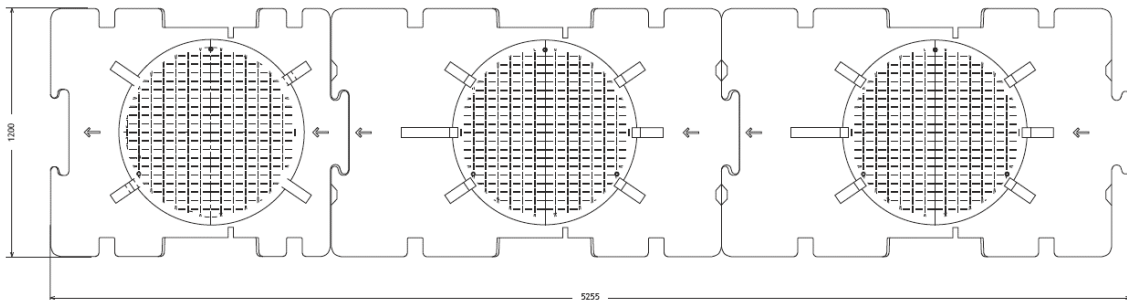
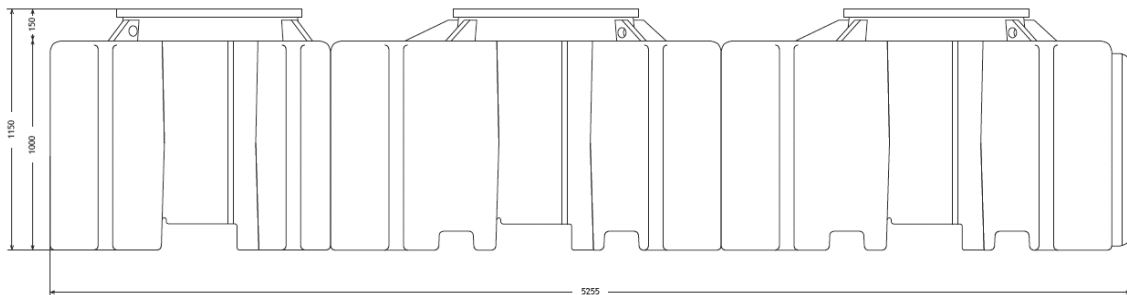
HDPE

MODEL	L lenght (mm)	I width (mm)	H height (mm)	Capacity (liters)	Weight (kg)
FS 4500	4285	1200	1150	4500	240



SEPTIC TANK (3 stages)

FS 5 500



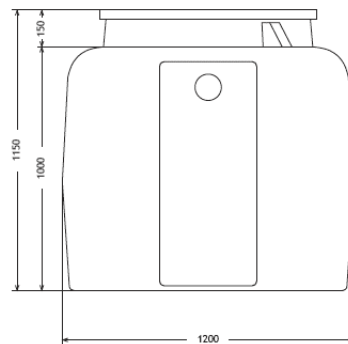
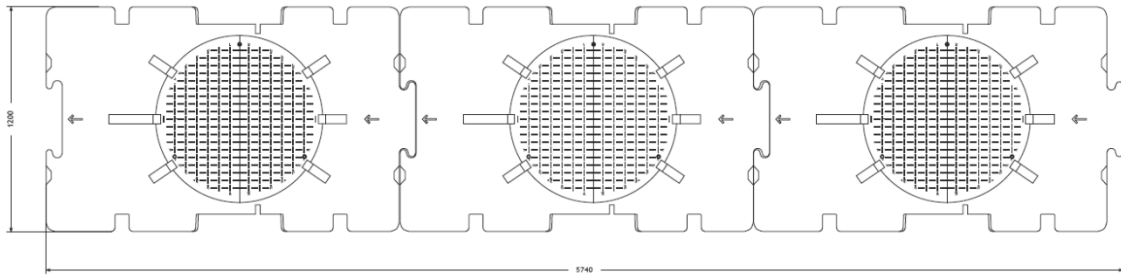
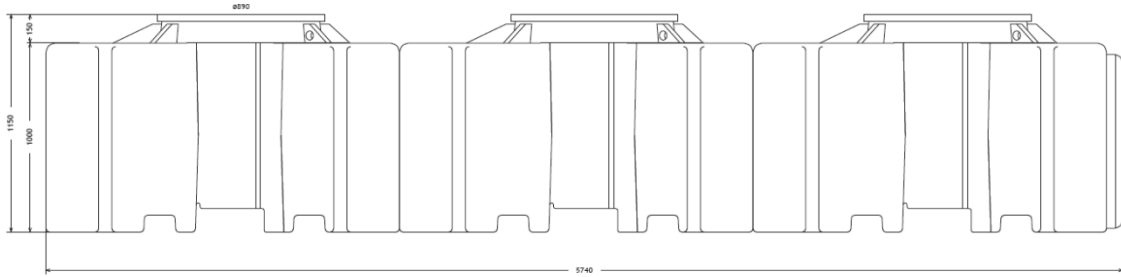
HDPE

MODEL	L length (mm)	I width (mm)	H height (mm)	Capacity (liters)	Weight (kg)
FS 5500	5255	1200	1150	5500	260



SEPTIC TANK (3 stages)

FS 6 000



HDPE

MODEL	L length (mm)	I width (mm)	H height (mm)	Capacity (liters)	Weight (kg)
FS 6000	5910	1200	1150	6000	270