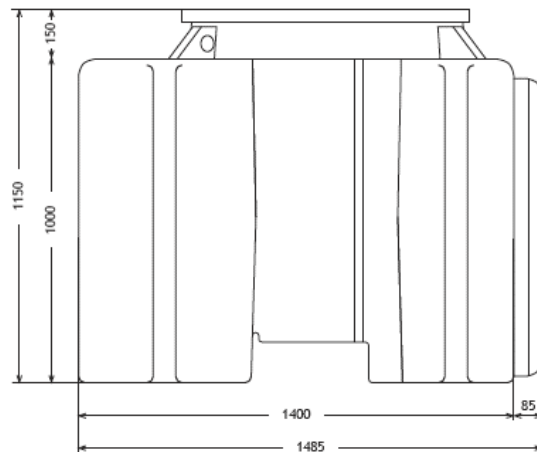
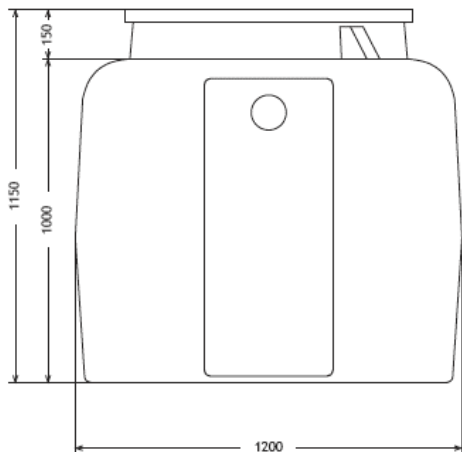




WWTP Aerobic Digestion (SBR) efficiency > 90%

WWTP 4 inhab.



Blower



Membrane diffuser

ADVANTAGES

- Easy installation
- High level of treatment
- Odour – free
- Silent high efficiency blower
- Efficiency: higher than 90%
- Activated sludge treatment
- Automatic operation

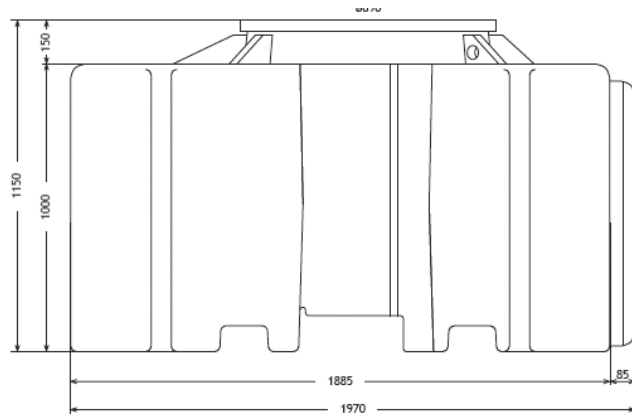
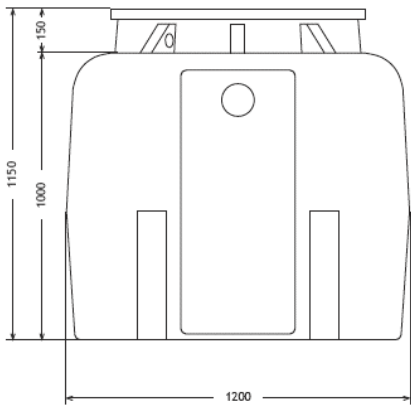
HDPE

MODEL	Capacity (liters)	L lenght (mm)	I width (mm)	H height (mm)	DN (mm)	Watts (w)	Weight (kg)
WWTP 4	1500	1485	1200	1150	110	38	80



WWTP Aerobic Digestion (SBR) efficiency > 90%

WWTP 8 inhab.



Blower



Membrane diffuser

ADVANTAGES

- Easy installation
- High level of treatment
- Odour – free
- Silent high efficiency blower
- Efficiency: higher than 90%
- Activated sludge treatment
- Automatic operation

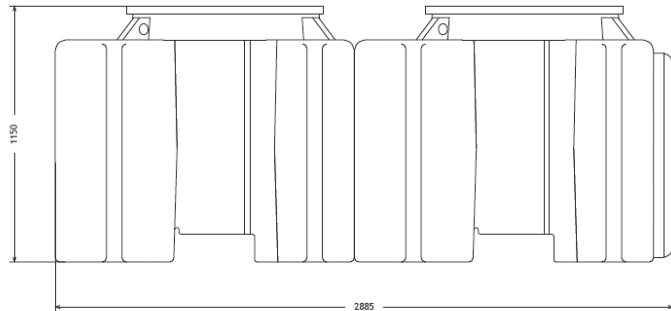
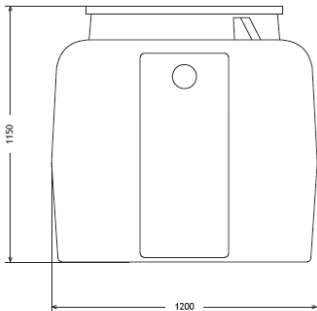
HDPE

MODEL	Capacity (liters)	L lenght (mm)	I width (mm)	H height (mm)	DN (mm)	Watts (w)	Weight (kg)
WWTP 8	2000	1970	1200	1150	110	38	90



WWTP Aerobic Digestion (SBR) efficiency > 90%

WWTP 12 inhab.



Blower



Membrane diffuser

ADVANTAGES

- Easy installation
- High level of treatment
- Odour – free
- Silent high efficiency blower
- Efficiency: higher than 90%
- Activated sludge treatment
- Automatic operation

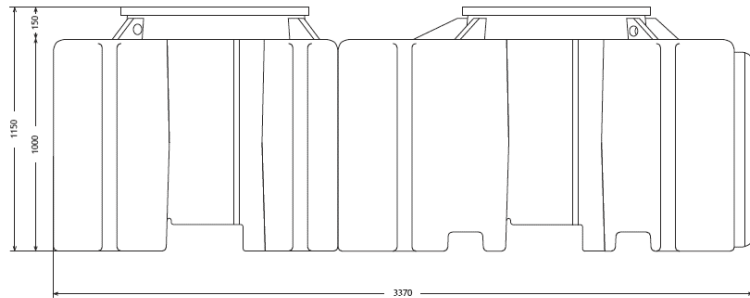
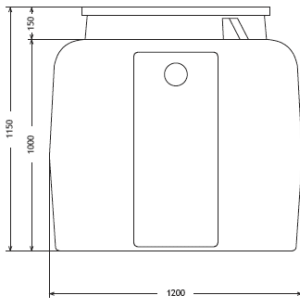
HDPE

MODEL	Capacity (liters)	L lenght (mm)	I width (mm)	H height (mm)	DN (mm)	Watts (w)	Weight (kg)
WWTP 12	3000	2855	1200	1150	110	52	160



WWTP Aerobic Digestion (SBR) efficiency > 90%

WWTP 16 inhab.



Blower



Membrane diffuser

ADVANTAGES

- Easy installation
- High level of treatment
- Odour – free
- Silent high efficiency blower
- Efficiency: higher than 90%
- Activated sludge treatment
- Automatic operation

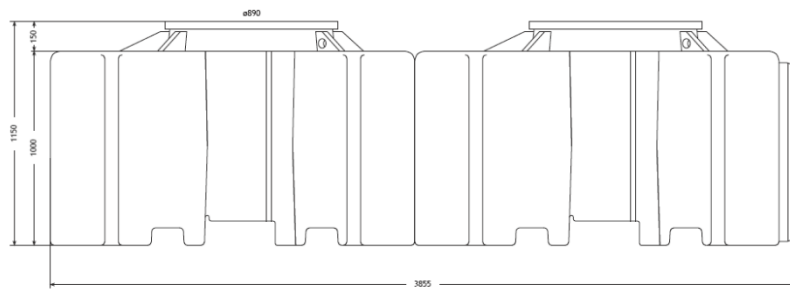
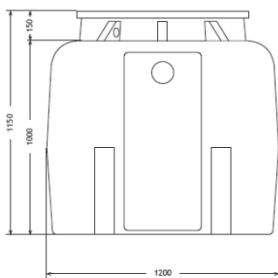
HDPE

MODEL	Capacity (liters)	L lenght (mm)	I width (mm)	H height (mm)	DN (mm)	Watts (w)	Weight (kg)
WWTP 16	3500	3370	1200	1150	110	52	170



WWTP Aerobic Digestion (SBR) efficiency > 90%

WWTP 20 inhab.



Blower



Membrane diffuser

ADVANTAGES

- Easy installation
- High level of treatment
- Odour – free
- Silent high efficiency blower
- Efficiency: higher than 90%
- Activated sludge treatment
- Automatic operation

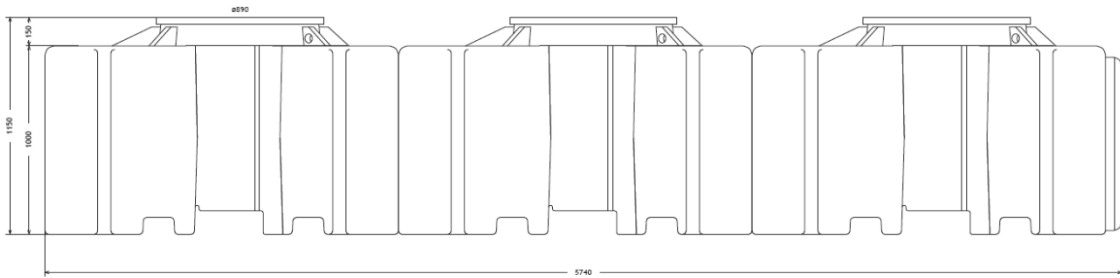
HDPE

MODEL	Capacity (liters)	L lenght (mm)	I width (mm)	H height (mm)	DN (mm)	Watts (w)	Weight (kg)
WWTP 20	4000	3855	1200	1150	110	52	180



WWTP Aerobic Digestion (SBR) efficiency > 90%

WWTP 40 inhab.



Blower



Membrane diffuser

ADVANTAGES

- Easy installation
- High level of treatment
- Odour – free
- Silent high efficiency blower
- Efficiency: higher than 90%
- Activated sludge treatment
- Automatic operation

HDPE

MODEL	Capacity (liters)	L lenght (mm)	I width (mm)	H height (mm)	DN (mm)	Watts (w)	Weight (kg)
WWTP 40	6000	5910	1200	1150	110	52	270