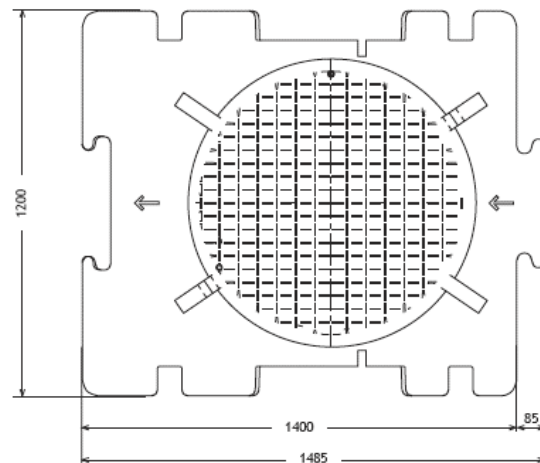
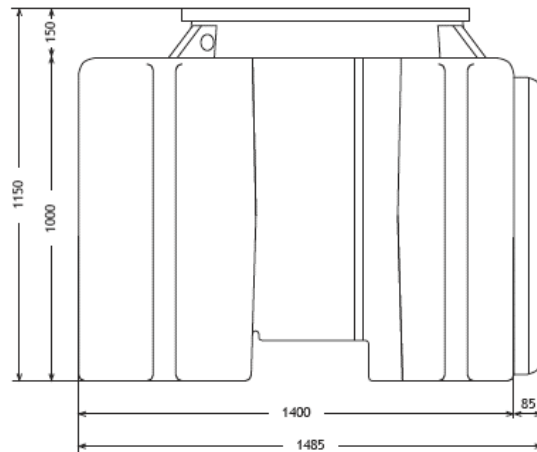
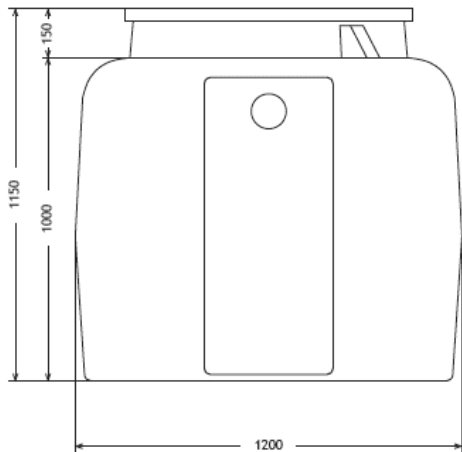




PETROL INTERCEPTOR CLASS I $HC \leq 5 \text{ mg/l}$

SHD 3/1000 w/ sludge trap e coalescent cell



HDPE

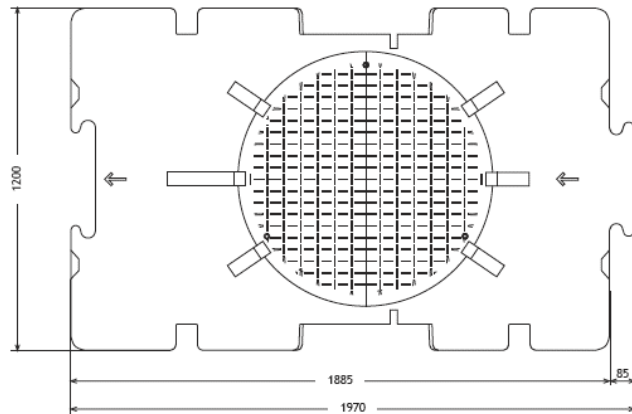
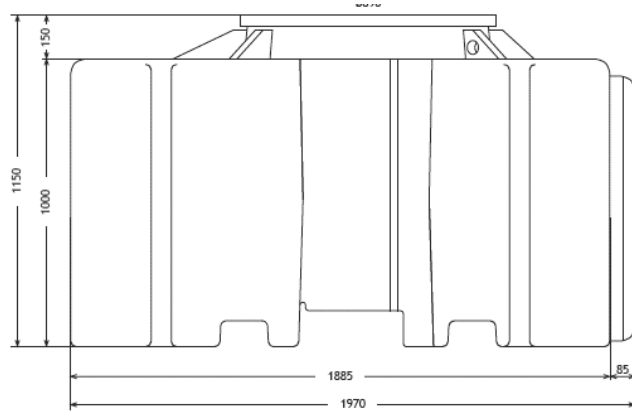
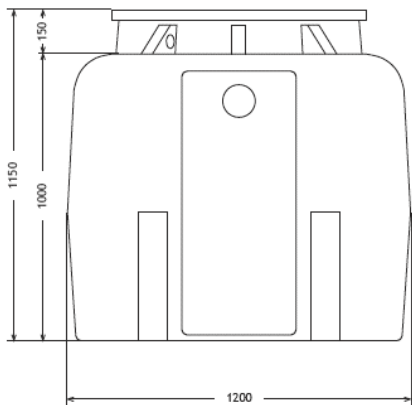
MODEL	Flow (l/s)	L length (mm)	I width (mm)	H height (mm)	DN (mm)	Sludge trap (liters)	Oil storage (liters)	Weight (kg)
SHD 3	3	1485	1200	1150	110	300	700	80



PETROL INTERCEPTOR

CLASS I HC \leq 5 mg/l

SHD 6 w/ sludge trap e coalescent cell



HDPE

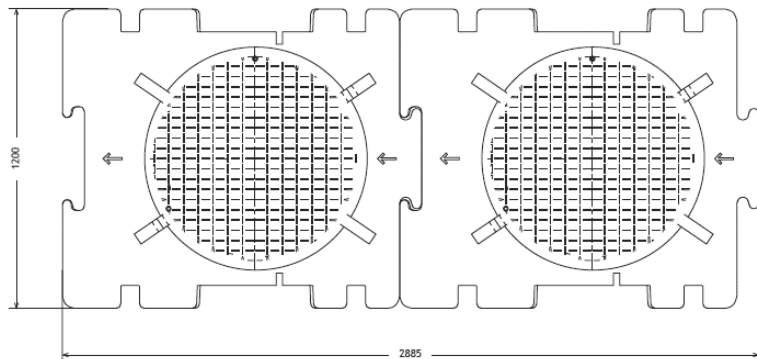
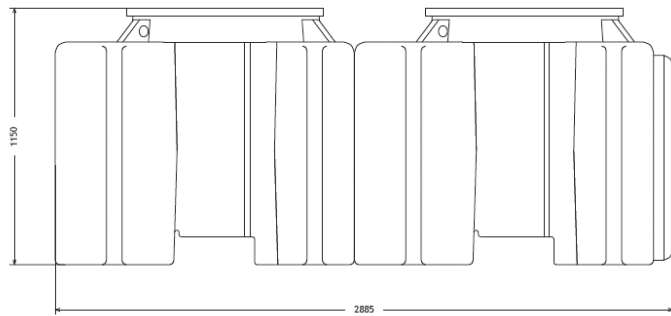
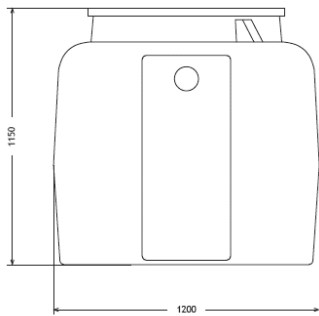
MODEL	Flow (l/s)	L lenght (mm)	I width (mm)	H height (mm)	DN (mm)	Sludge trap (liters)	Oil storage (liters)	Weight (kg)
SHD 6	6	1970	1200	1150	110	1000	1000	90



PETROL INTERCEPTOR

CLASS I HC \leq 5 mg/l

SHD 10 w/ sludge trap e coalescente cell



HDPE

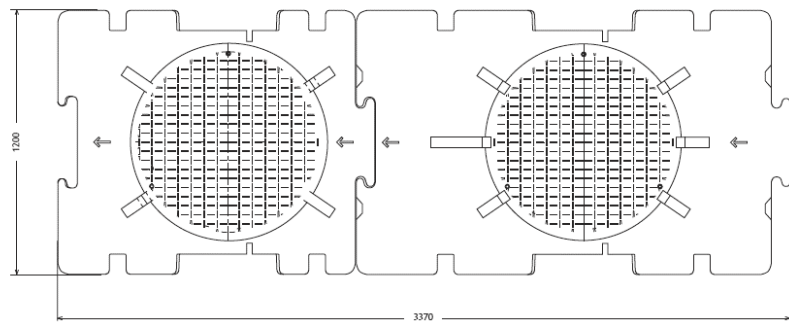
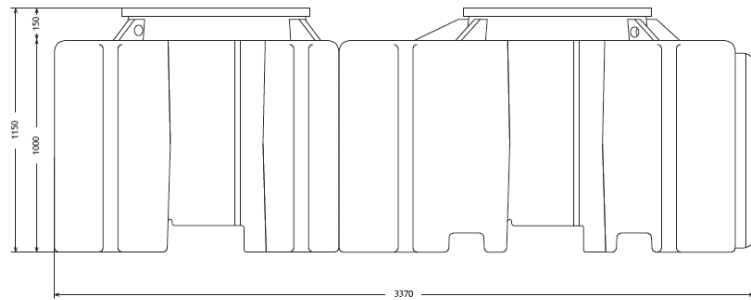
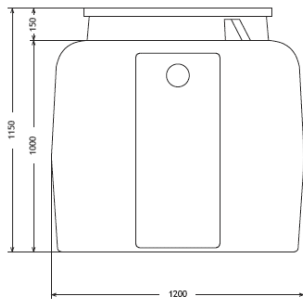
MODEL	Flow (l/s)	L lenght (mm)	I width (mm)	H height (mm)	DN (mm)	Sludge trap (liters)	Oil storage (liters)	Weight (kg)
SHD 10	10	2855	1200	1150	110	1500	1500	160



PETROL INTERCEPTOR

CLASS I HC \leq 5 mg/l

SHD 15 w/ sludge trap e coalescente cell



HDPE

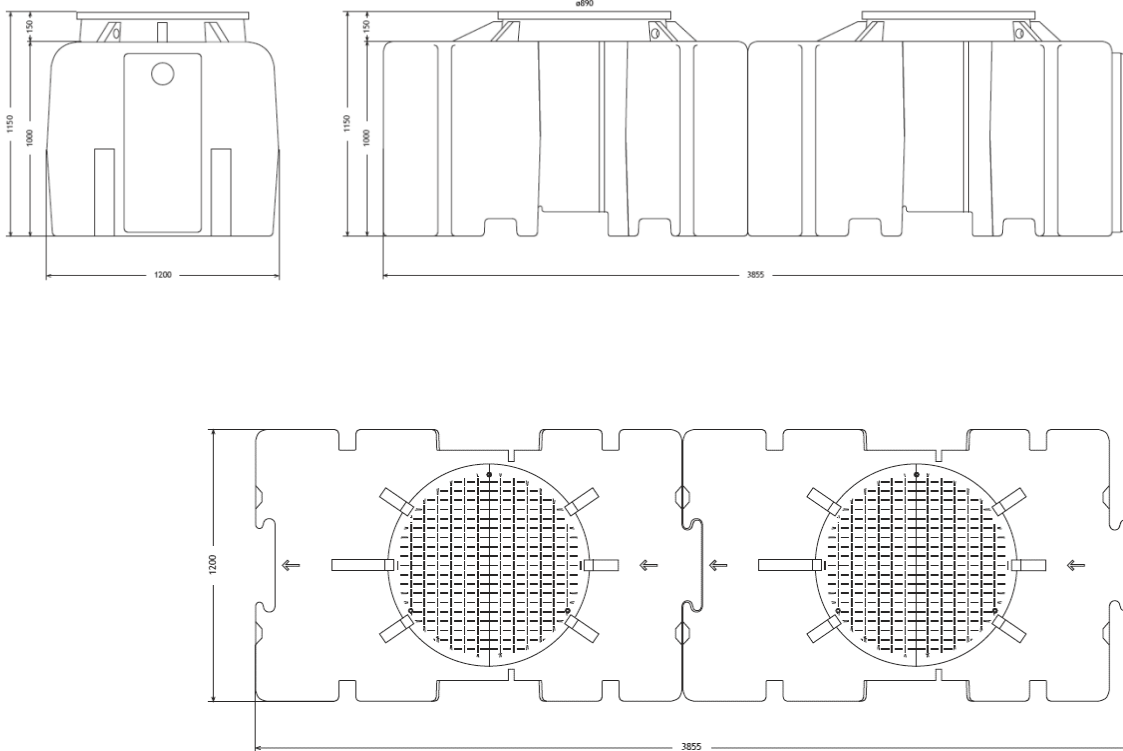
MODEL	Flow (l/s)	L lenght (mm)	I width (mm)	H height (mm)	DN (mm)	Sludge trap (liters)	Oil storage (liters)	Weight (kg)
SHD 15	15	3370	1200	1150	110	1500	2000	160



PETROL INTERCEPTOR

CLASS I HC \leq 5 mg/l

SHD 20 w/ sludge trap e coalescente cell



HDPE

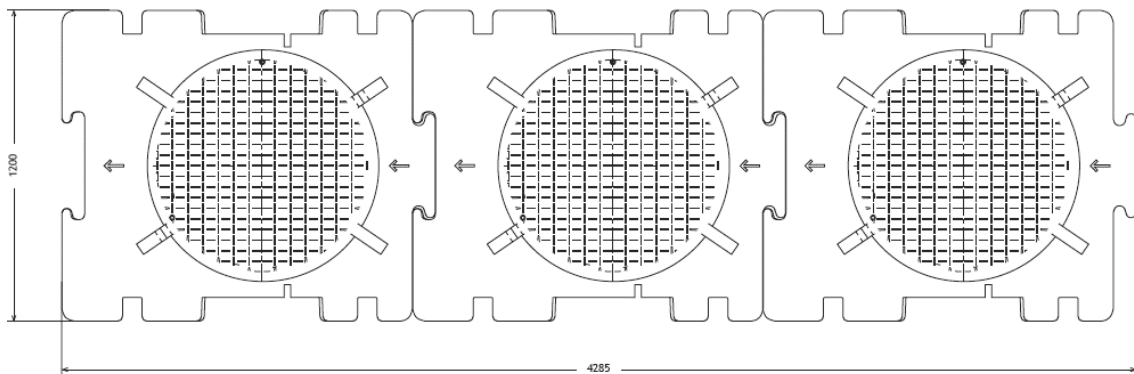
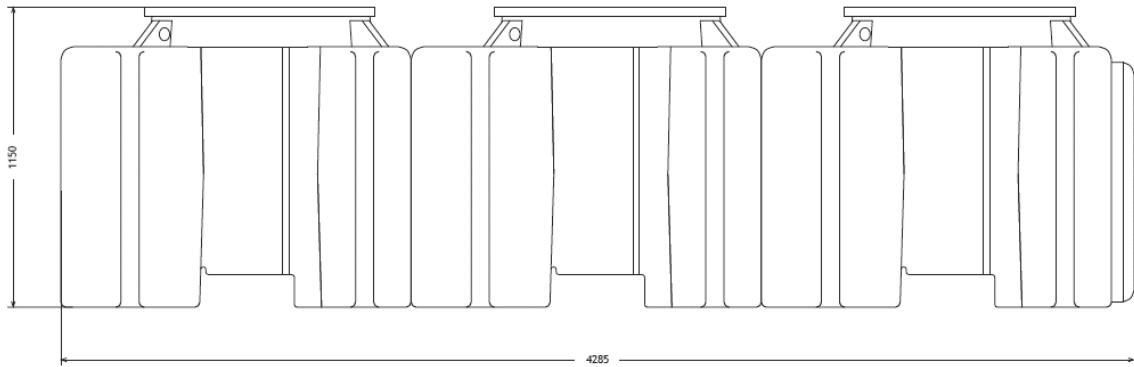
MODEL	Flow (l/s)	L lenght (mm)	I width (mm)	H height (mm)	DN (mm)	Sludge trap (liters)	Oil storage (liters)	Weight (kg)
SHD 20	20	3855	1200	1150	160	2000	2000	180



PETROL INTERCEPTOR

CLASS I HC \leq 5 mg/l

SHD 30 w/ sludge trap e coalescente cell



HDPE

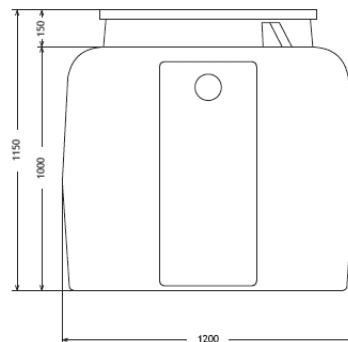
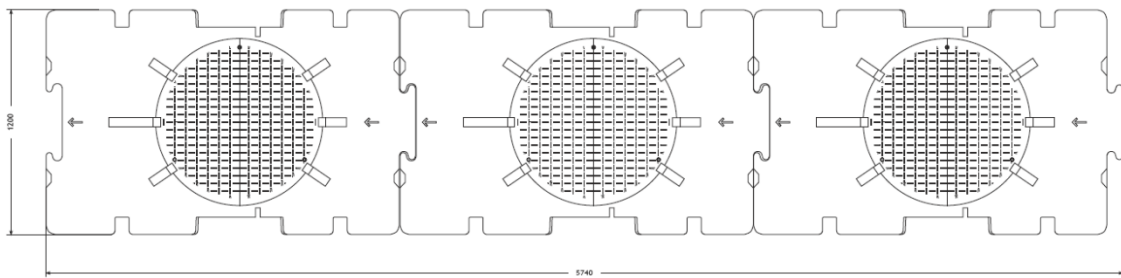
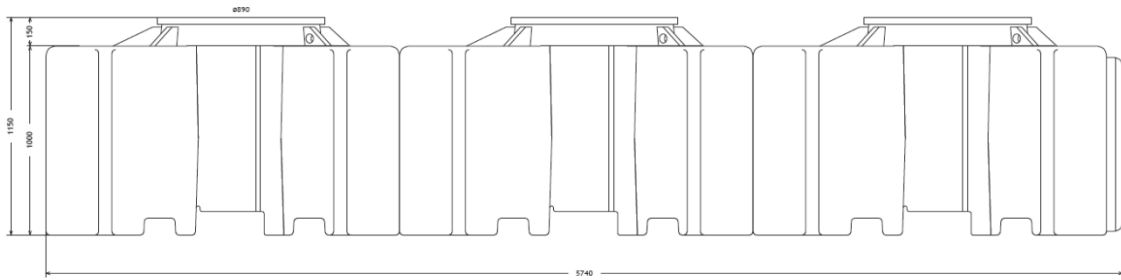
MODEL	Flow (l/s)	L lenght (mm)	I width (mm)	H height (mm)	DN (mm)	Sludge trap (liters)	Oil storage (liters)	Weight (kg)
SHD 30	30	4285	1200	1150	160	2250	2250	240



PETROL INTERCEPTOR

CLASS I HC \leq 5 mg/l

SHD 40 w/ sludge trap e coalescente cell



HDPE

MODEL	Flow (l/s)	L lenght (mm)	I width (mm)	H height (mm)	DN (mm)	Sludge trap (liters)	Oil storage (liters)	Weight (kg)
SHD 40	40	5910	1200	1150	200	3000	3000	270