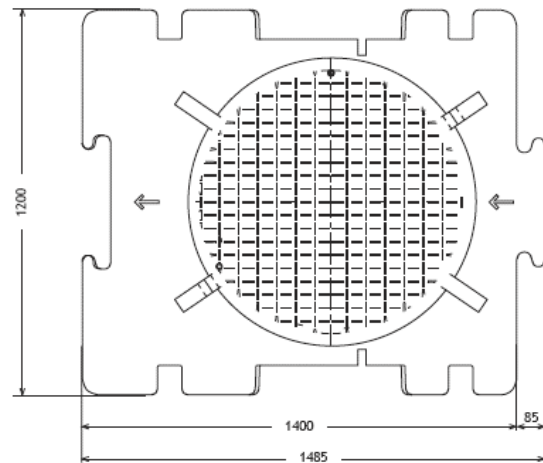
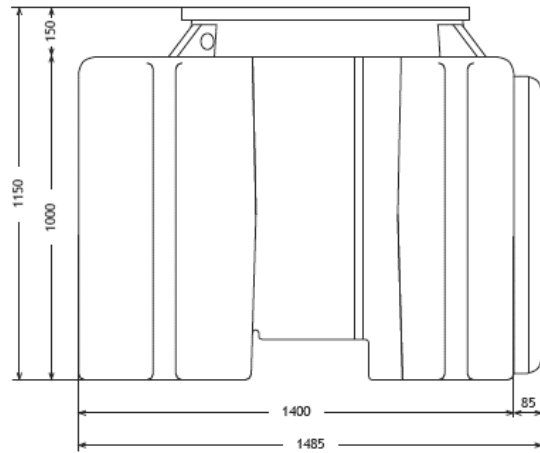
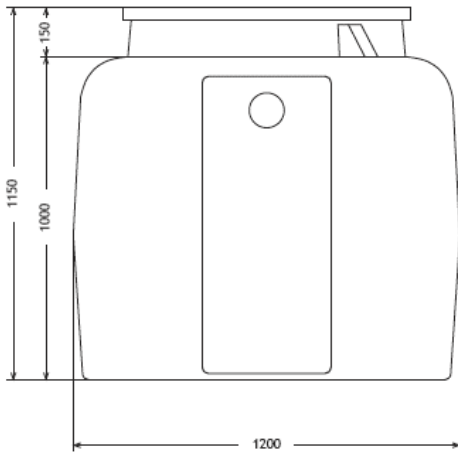




## GREASE TRAP

EN 1825

### SGD 4 w/ sludge trap



## HDPE

MODEL	Flow (l/s)	L length (mm)	I width (mm)	H height (mm)	DN (mm)	Sludge trap (liters)	Greasa storage (liters)	Weight (kg)
SGD 4	4	1485	1200	1150	110	300	700	80

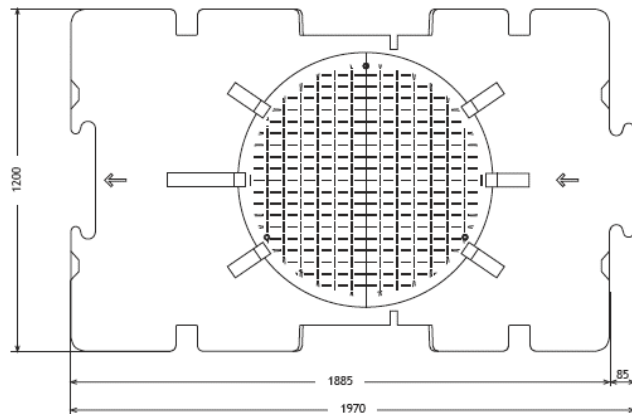
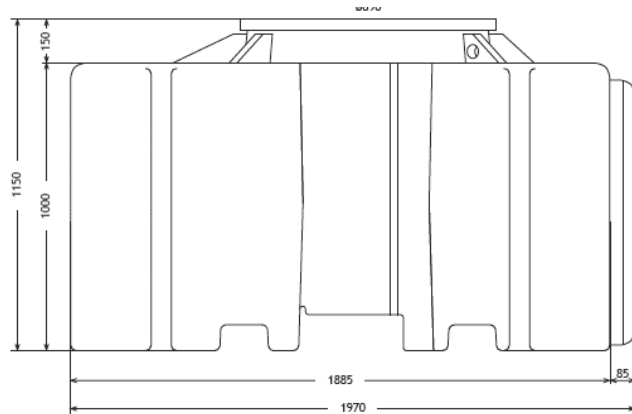
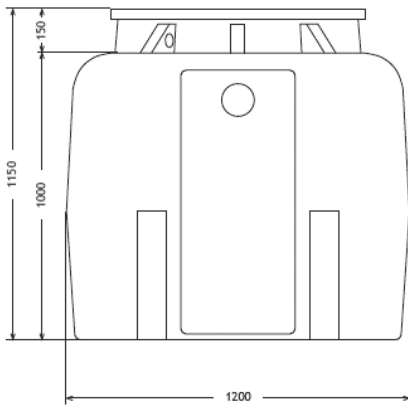




## GREASE TRAP

EN 1825

### SGD 6 w/ sludge trap



## HDPE

MODEL	Flow (l/s)	L lenght (mm)	I width (mm)	H height (mm)	DN (mm)	Sludge trap (liters)	Oil storage (liters)	Weight (kg)
SGD 6	6	1970	1200	1150	110	1000	1000	90

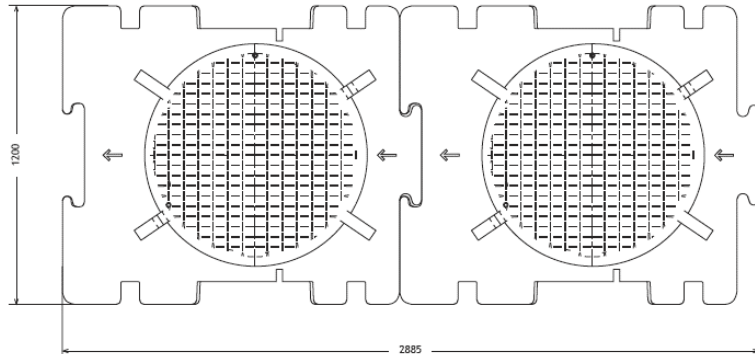
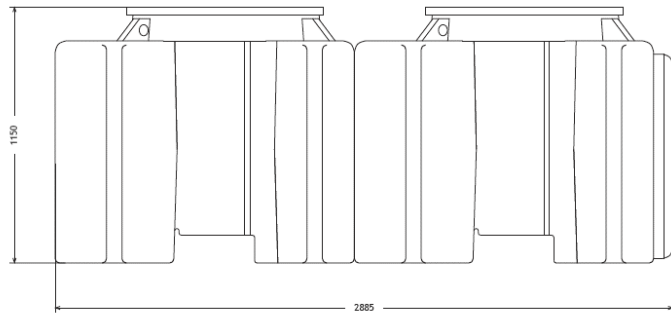
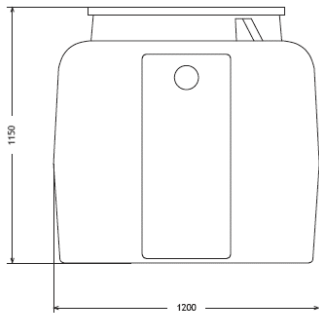




## GREASE TRAP

EN 1825

### SGD 8 w/ sludge trap



## HDPE

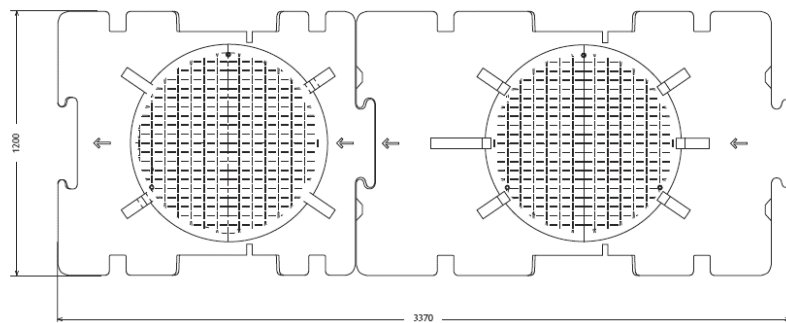
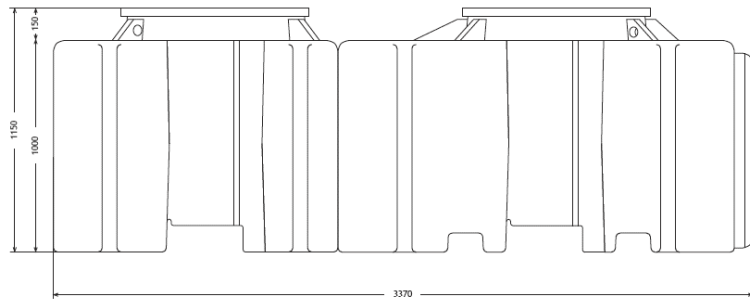
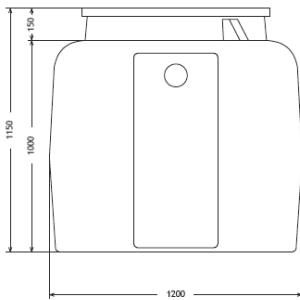
MODEL	Flow (l/s)	L length (mm)	I width (mm)	H height (mm)	DN (mm)	Sludge trap (liters)	Oil storage (liters)	Weight (kg)
SGD 8	8	2855	1200	1150	110	1500	1500	160



## GREASE TRAP

EN 1825

### SGD 10 w/ sludge trap



## HDPE

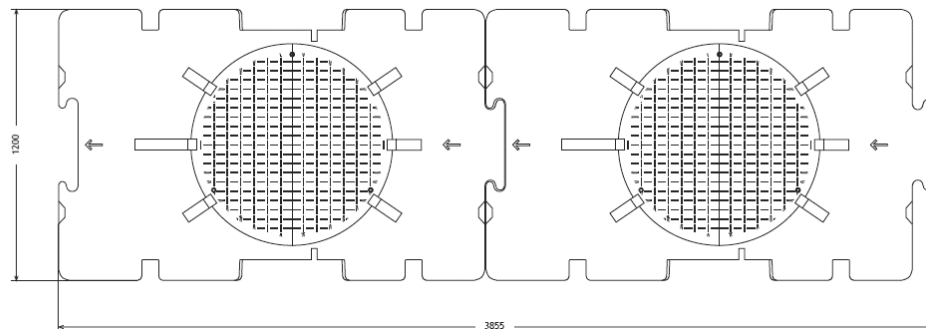
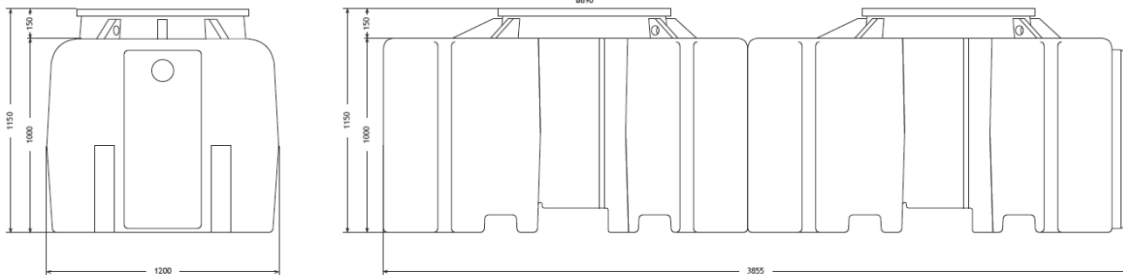
MODEL	Flow (l/s)	L length (mm)	I width (mm)	H height (mm)	DN (mm)	Sludge trap (liters)	Oil storage (liters)	Weight (kg)
SGD 10	10	3370	1200	1150	110	1500	2000	170



## GREASE TRAP

EN 1825

### SGD 15 w/ sludge trap



## HDPE

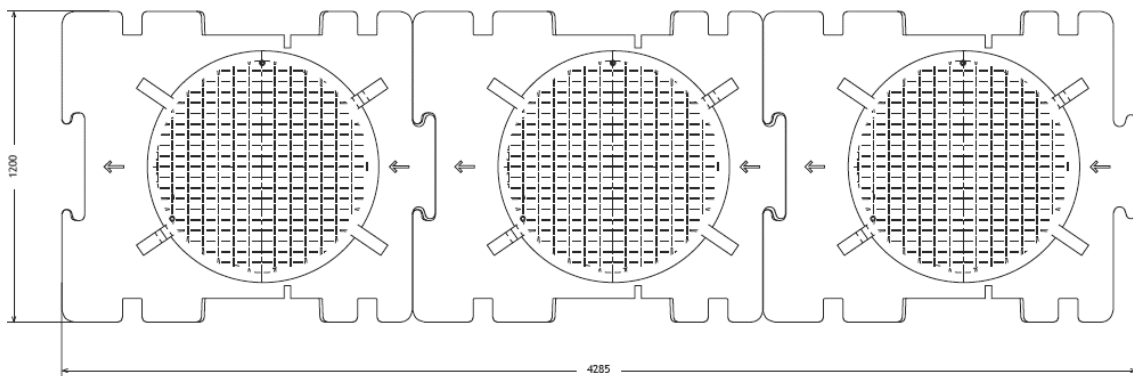
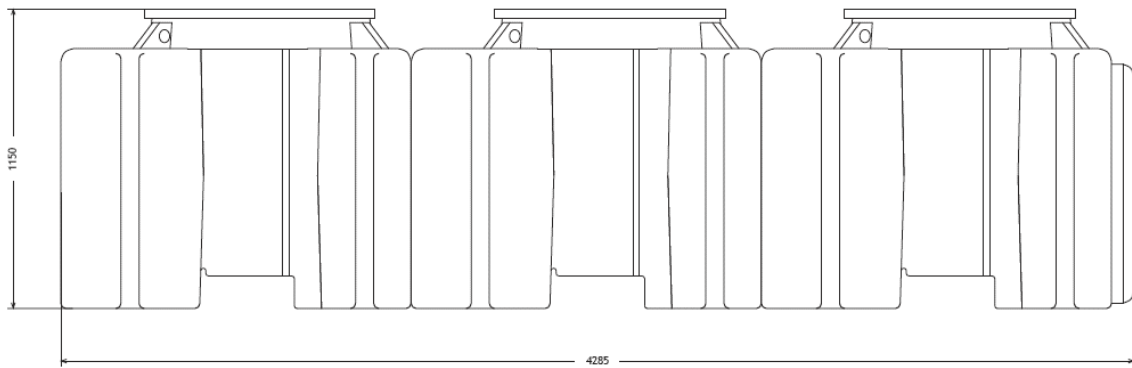
MODEL	Flow (l/s)	L length (mm)	l width (mm)	H height (mm)	DN (mm)	Sludge trap (liters)	Oil storage (liters)	Weight (kg)
SGD 15	15	3855	1200	1150	160	2000	2000	180



## GREASE TRAP

EN 1825

### SGD 20 w/ sludge trap



## HDPE

MODEL	Flow (l/s)	L lenght (mm)	l width (mm)	H height (mm)	DN (mm)	Sludge trap (liters)	Oil storage (liters)	Weight (kg)
SGD 20	20	4285	1200	1150	160	2250	2250	240

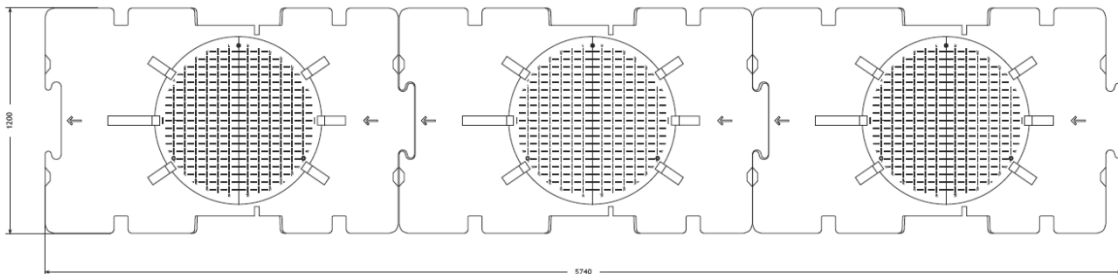
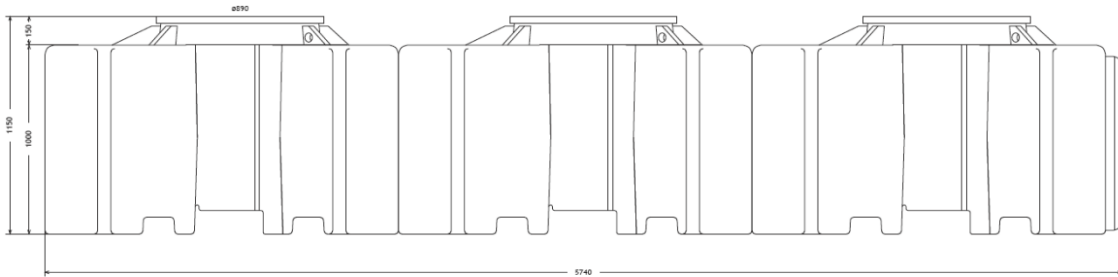




## GREASE TRAP

EN 1825

### SGD 40 w/ sludge trap



## HDPE

MODEL	Flow (l/s)	L lenght (mm)	I width (mm)	H height (mm)	DN (mm)	Sludge trap (liters)	Oil storage (liters)	Weight (kg)
SGD 40	40	5910	1200	1150	160	3000	3000	240